

# OPTIONS

- TEMPERED D.S.B. GLASS

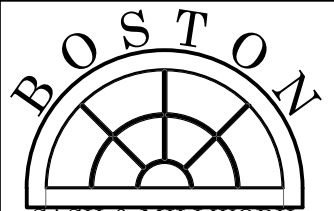
# FORMULAS

STR. PNL. W. = STORM WIDTH - 2-13/16"

STR. PNL. H. = ((STORM HEIGHT - 5 15/32")/2) - 1/16"

GLASS. W. = STORM WIDTH - 3"

GLASS H. = ((STORM HEIGHT - 6")/2)



SASH & MILLWORK  
667 SPRING STREET  
NORTH DIGHTON, MA. 02764  
PHONE # (508) 880-8808  
FAX # (508) 880-8828  
WWW.BOSTONSASH.COM

## STANDARD

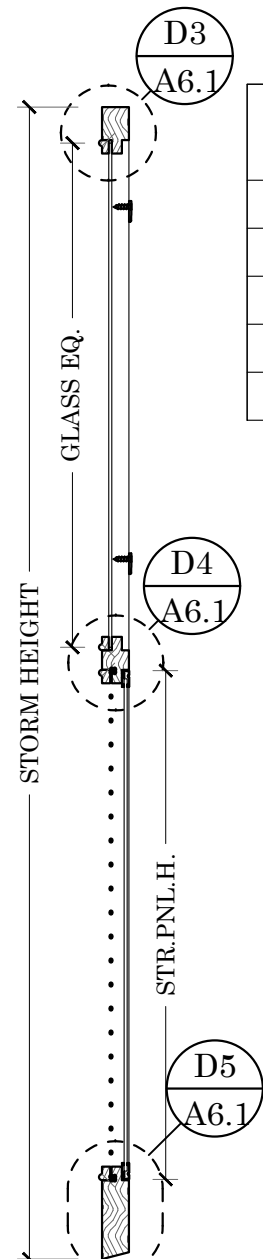
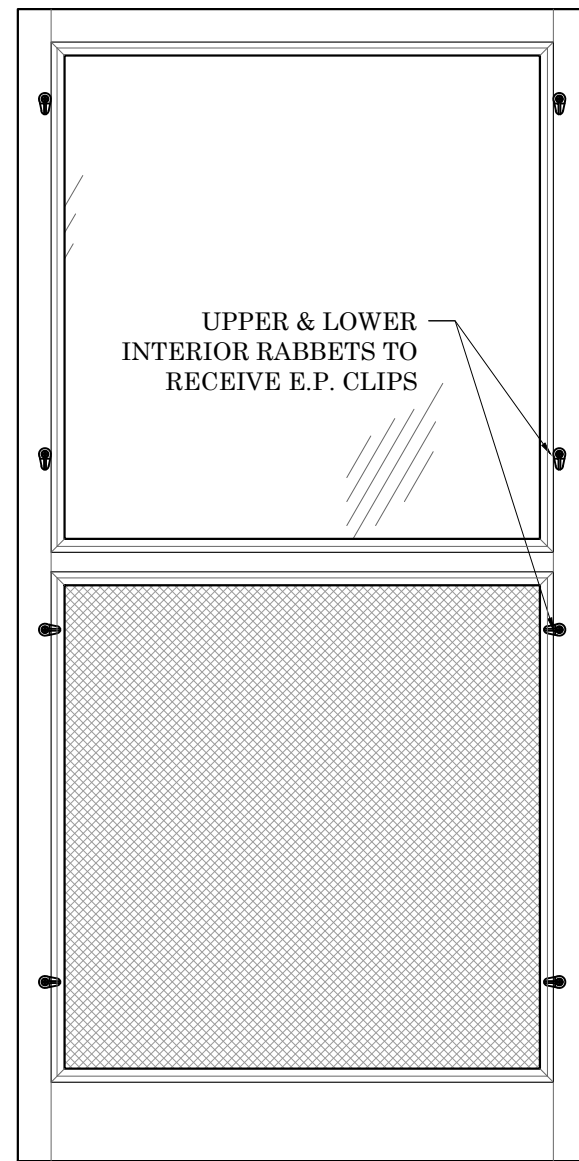
PRIMED UTILE MAHOGANY FRAME & BEAD

D.S.B. GLASS

CHARCOAL FIBERGLASS SCREEN

WHITE CRL LAURENCE STORM SASH FRAMES

E.P. CLIPS & TOP AND BOTTOM RABBETS FOR USE & STORAGE

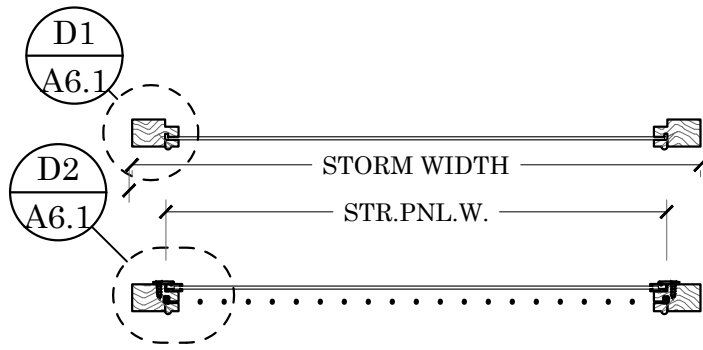


## COMPONENT LIST

STORM WIDTH	STORM HEIGHT	STORM PANEL. W.	STORM PANEL. H.	QTY EACH

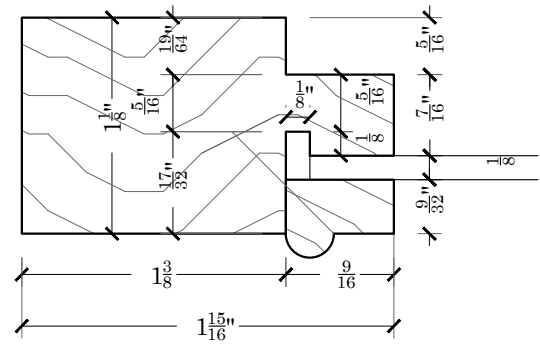
## D.H. STORM SCREEN COMBO 2

SCALE: 1-1/2"=1'

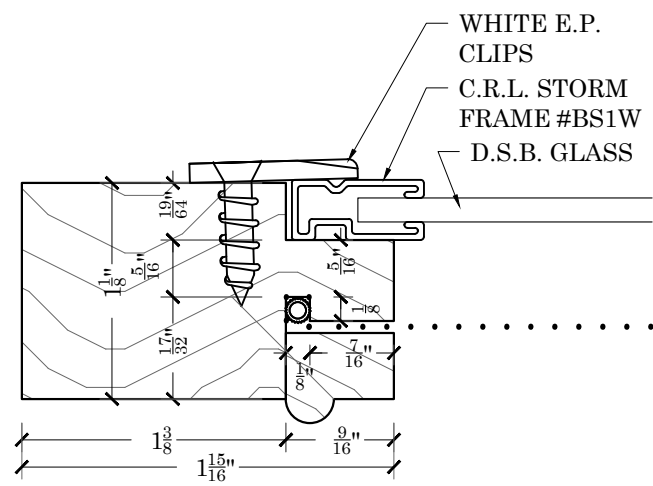


JOB: B.S. STANDARDS  
D.H. STORM SCREEN COMBO OPT. #2  
DESCRIPTION: ELEVATION, SECTIONS & NOTES

P.O.# N/A  
DEALER N/A  
CONTRACTOR N/A  
ARCHITECT N/A  
PROJECT MANAGER N/A  
DRAWN BY: KEITH KUTHAN  
DATE: 8/8/2016  
SCALE: NOTED  
DWG. NO:  
**SK10A6.0**  
SHEET: 1 OF 2

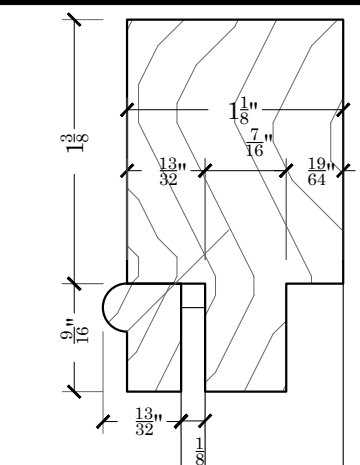


**D1**  
A6.1 **DETAIL**  
SCALE: F.S.

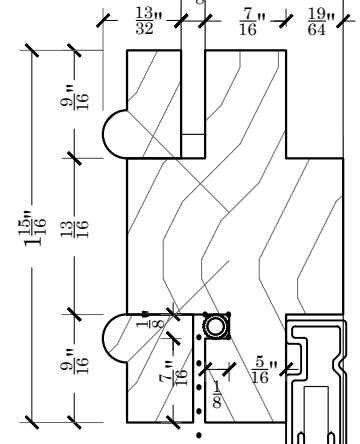


**D2**  
A6.1 **DETAIL**  
SCALE: F.S.

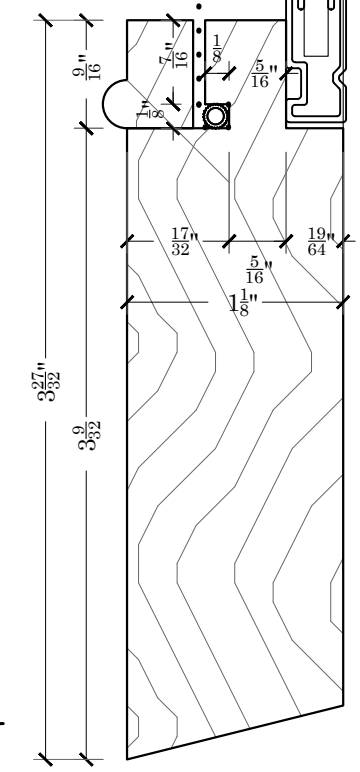
**D3**  
A6.1 **DETAIL**  
SCALE: F.S.



**D4**  
A6.1 **DETAIL**  
SCALE: F.S.



**D5**  
A6.1 **DETAIL**  
SCALE: F.S.



**B O S T O N**

**SASH & MILLWORK**  
667 SPRING STREET  
NORTH DIGHTON, MA. 52764  
PHONE # (508) 880-8808  
FAX # (508) 880-8828  
WWW.BOSTONSASH.COM

JOB:	B.S. STANDARDS	DESCRIPTION:
	D.H. STORM SCREEN COMBO OPT. # 2	

P.O.#	N/A
DEALER	N/A
CONTRACTOR	N/A
ARCHITECT	N/A
PROJECT MANAGER	N/A
DRAWN BY:	KEITH KUTHAN
DATE:	8/8/2016
SCALE:	NOTED
DWG. NO:	
<b>SK10A6.1</b>	
SHEET:	
2 OF 2	