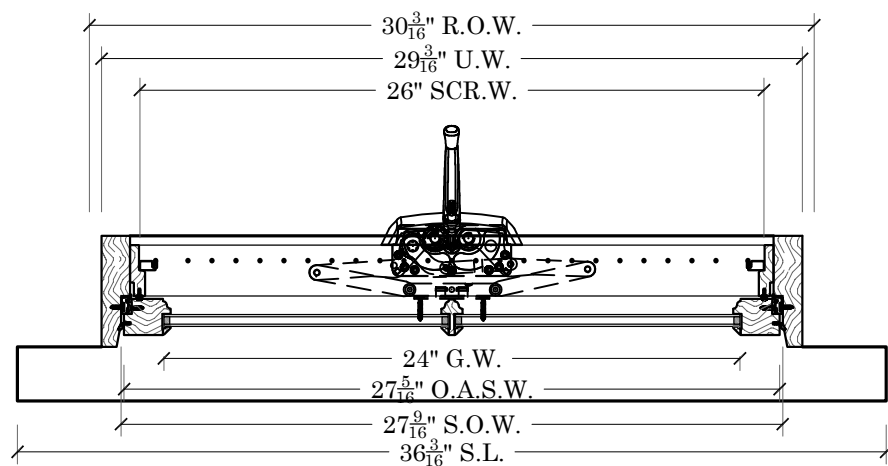


# MARTHA'S VINEYARD AWNING

SCALE: 1-1/2"=1'



## STANDARD

- 4-5/8" UNIT DEPTH
- ANNEALED SINGLE STRENGTH GLASS, INSULATED GLASS UNIT
- UTILE MAHOGANY FRAME & SASH
- STANDARD 1-1/2" THICK WESTERN RED CEDAR SILLS
- PRIMED EXTERIOR/ RAW INTERIOR
- TRUTH HARDWARE (WHITE)
- FULLY WEATHER SEALED
- 7/8" T.D.L. & S.D.L. BAR & MUNTIN GRILL CONFIGURATIONS
- WHITE ROLLED FORM ALUMINUM SCREEN FRAMES
- CHARCOAL FIBERGLASS SCREEN

## SIZING

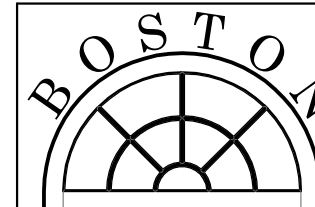
- U.W. = G.W.+5-3/16"
- S.O.W.=G.W.+3-9/16"
- O.A.S.W. = G.W.+3-5/16"
- D.L.O.W.=G.W.-9/16"
- U.H. = G.H.+8"
- S.O.H.= G.H.+4-9/16"
- O.A.S.H.=G.H.+4-5/16"
- D.L.O.H.=G.H.-9/16"

## STD. HARDWARE

- |   |                               |
|---|-------------------------------|
| 1 | TRUTH ENTRYGUARD OP. #11.42   |
| 1 | TRUTH SASH HOOK #20008        |
| 1 | TRUTH STANDARD HANDEL #10024  |
| - | TRUTH OPERATOR COVER #10341   |
|   | 32 & 78 WHITE                 |
| 1 | TRUTH AWNING HINGE 14" #13.14 |

## OPTIONAL ITEMS

- ANEAELED OR TEMPERED DOUBLE STRENGTH GLASS UNITS
- ARGON INSULATION GAP
- EXTERIOR LOW E I 89 ON EXTERIOR PANE SURFACE 2
- 2" PINE OR UTILE MAHOGANY INT.EXTENSION JAMBS
- DOUBLE STRENGTH ANNEALED & OR TEMPERED GLASS
- D.P. RATING GLAZING
- HISTORIC 1-3/4" THICK WESTERN RED CEDAR SILLS
- LIFT OUT WOOD SCREENS
- 5/4"X4" OR 4/4"X5" NOMINAL WESTERN RED CEDAR CASING



**SASH & MILLWORK**  
 667 SPRING STREET  
 NORTH DIGHTON, MA.52764  
 PHONE # (508) 880-8808  
 FAX # (508)880-8828  
 WWW.BOSTONSASH.COM

B.S. STANDARDS

AWNING OPTION 8

ELEVATION, SECTIONS & NOTES  
 MARTHA'S VINEYARD PROFILE

JOB:

P.O.#

N/A

DEALER

N/A

CONTRACTOR

N/A

ARCHITECT

N/A

PROJECT MANAGER

N/A

DRAWN BY:

KEITH KUTHAN

DATE:

11/11/2015

SCALE:

NOTED

DWG. NO:

SK4A8.0

SHEET:

1 OF 5