

SASH & MILLWORK
 667 SPRING STREET
 NORTH DIGHTON, MA. 52764
 PHONE # (508) 880-8808
 FAX # (508) 880-8828
 WWW.BOSTONSASH.COM

STANDARD

- 4-5/8" UNIT DEPTH
- ANNEALED DOUBLE STRENGTH GLASS, INSULATED GLASS UNIT
- UTILE MAHOGANY FRAME & SASH
- STANDARD 1-1/2" THICK WESTERN RED CEDAR SILLS
- PRIMED EXTERIOR/ RAW INTERIOR
- TRUTH HARDWARE (WHITE)
- FULLY WEATHER SEALED
- 5/8" S.D.L. BAR & MUNTIN GRILL CONFIGURATIONS
- WHITE ROLLED FORM ALUMINUM SCREEN FRAMES
- CHARCOAL FIBERGLASS SCREEN

SIZING

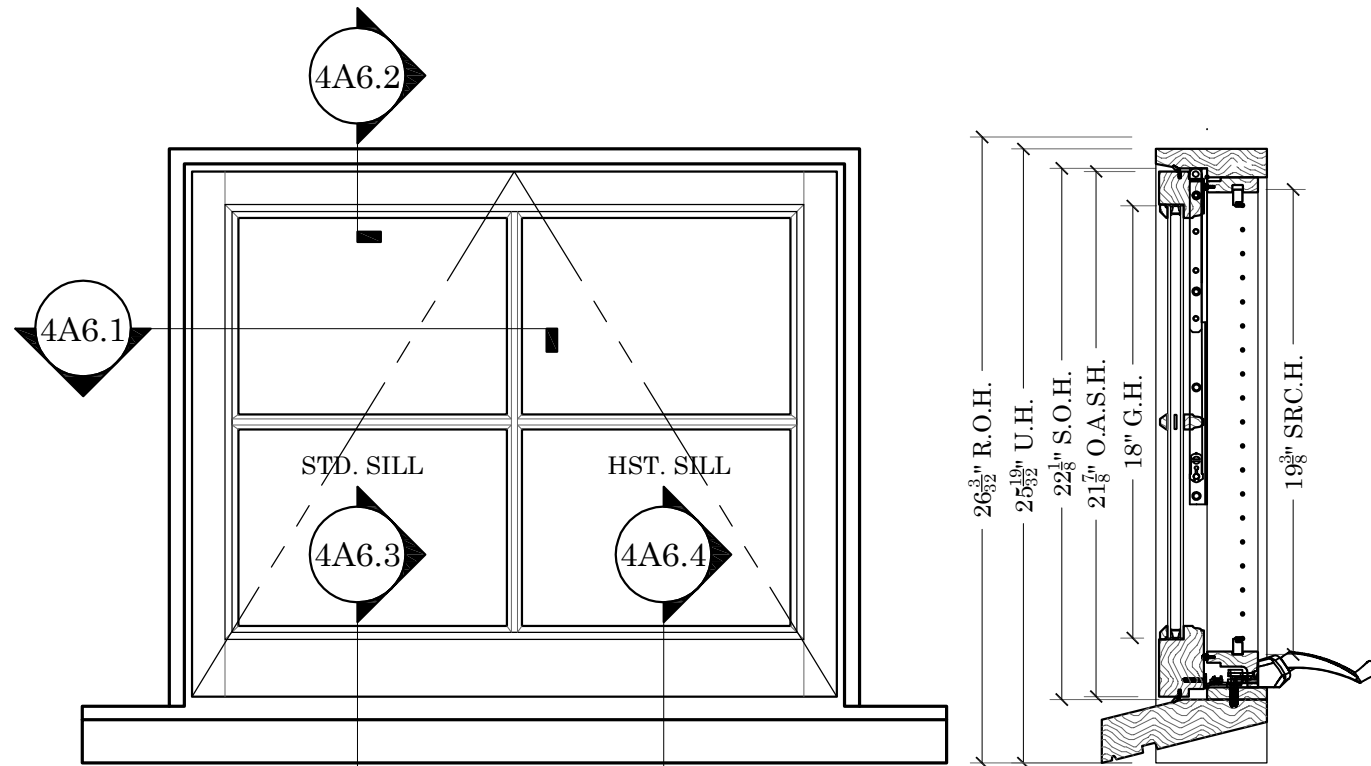
- U.W. = G.W.+4-3/4"
- S.O.W.=G.W.+3-1/8"
- O.A.S.W.= G.W.+2-7/8"
- D.L.O.W.=G.W.-1"
- U.H. = G.H.+7-9/16"
- S.O.H.= G.H.+4-1/8"
- O.A.S.H.=G.H.+3-7/8"
- D.L.O.H.=G.H.-1"

STD. HARDWARE

- | | |
|---|-------------------------------|
| 1 | TRUTH ENTRYGUARD OP. #11.42 |
| 1 | TRUTH SASH HOOK #20008 |
| 1 | TRUTH STANDARD HANDEL #10024 |
| - | TRUTH OPERATOR COVER #10341 |
| | 32 & 78 WHITE |
| 1 | TRUTH AWNING HINGE 14" #13.14 |

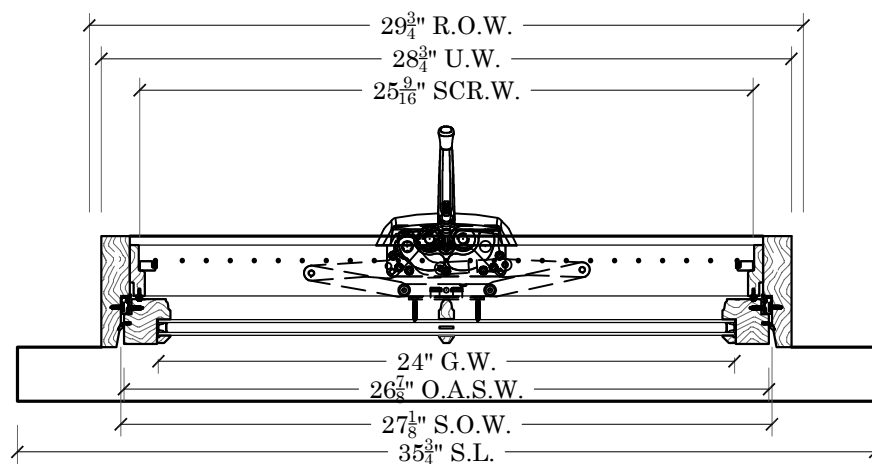
OPTIONAL ITEMS

- TEMPERED DOUBLE STRENGTH GLASS UNITS
- ARGON INSULATION GAP
- EXTERIOR LOW E 180
- 2" PINE OR UTILE MAHOGANY INT.EXTENSION JAMBS
- DOUBLE STRENGTH ANNEALED & OR TEMPERED GLASS
- D.P. RATING GLAZING
- HISTORIC 1-3/4" THICK WESTERN RED CEDAR SILLS
- LIFT OUT WOOD SCREENS
- 5/4"X4" OR 4/4"X5' NOMINAL WESTERN RED CEDAR CASING



CONCORD AWNING

SCALE: 1-1/2"=1'



B.S. STANDARDS
AWNING OPTION 6
 DESCRIPTION:
ELEVATION, SECTIONS & NOTES
CONCORD PROFILE

JOB: P.O.#
 N/A
 DEALER
 N/A
 CONTRACTOR
 N/A
 ARCHITECT
 N/A
 PROJECT MANAGER
 N/A
 DRAWN BY:
KEITH KUTHAN
 DATE:
11/11/2015
 SCALE:
NOTED
 DWG. NO:
SK4A6.0
 SHEET:
1 OF 5