

SASH & MILLWORK
 667 SPRING STREET
 NORTH DIGHTON, MA 02764
 PHONE # (508) 880-8808
 FAX # (508) 880-8828
 WWW.BOSTONSASH.COM

STANDARD

- 4-5/8" UNIT DEPTH
- ANNEALED SINGLE STRENGTH GLASS, INSULATED GLASS UNIT
- UTILE MAHOGANY FRAME & SASH
- STANDARD 1-1/2" THICK WESTERN RED CEDAR SILLS
- PRIMED EXTERIOR/ RAW INTERIOR
- TRUTH HARDWARE (WHITE)
- FULLY WEATHER SEALED
- 7/8" T.D.L. & S.D.L. BAR & MUNTIN GRILL CONFIGURATIONS
- WHITE ROLLED FORM ALUMINUM SCREEN FRAMES
- CHARCOAL FIBERGLASS SCREEN

SIZING

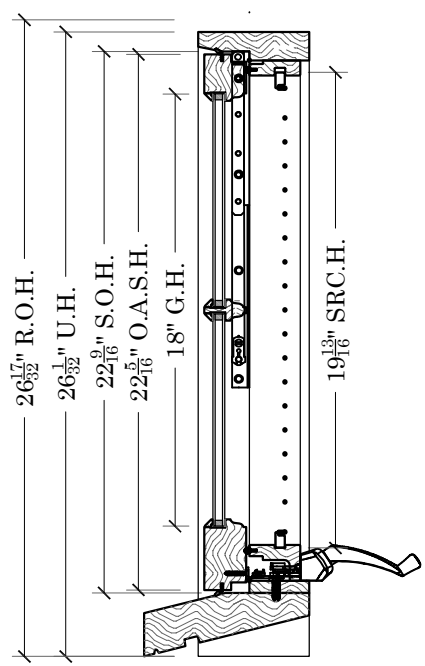
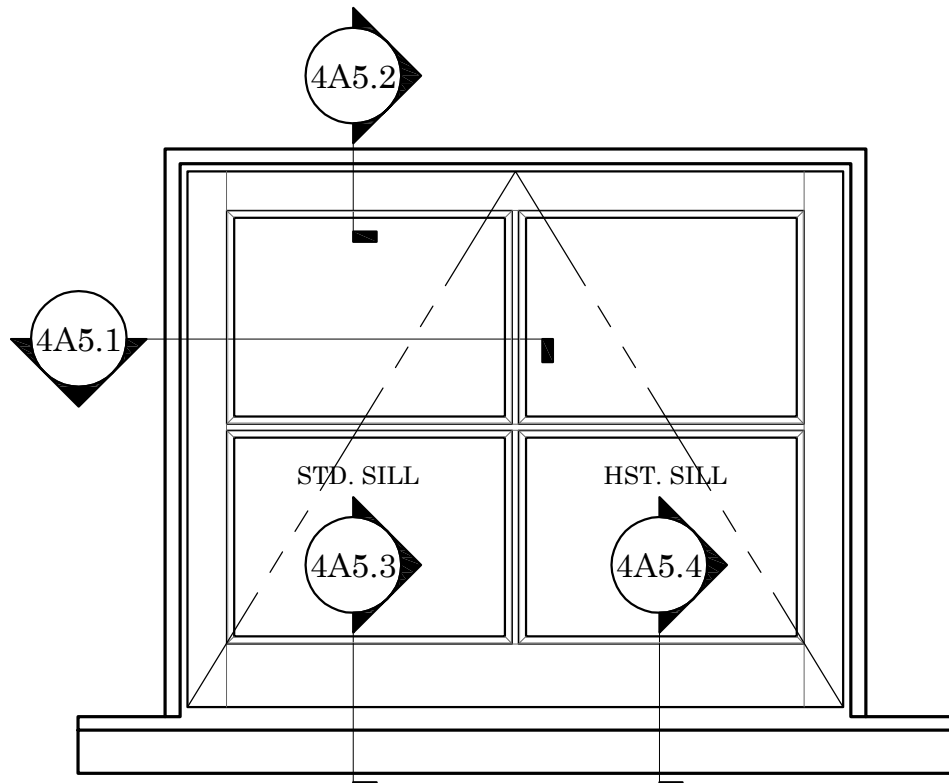
- U.W. = G.W.+5-3/16"
- S.O.W.=G.W.+3-9/16"
- O.A.S.W.= G.W.+3-5/16"
- D.L.O.W.=G.W.-9/16"
- U.H. = G.H.+8"
- S.O.H.= G.H.+4-9/16"
- O.A.S.H.=G.H.+4-5/16"
- D.L.O.H.=G.H.-9/16"

STD. HARDWARE

- 1 TRUTH ENTRYGUARD OP. #11.42
- 1 TRUTH SASH HOOK #20008
- 1 TRUTH STANDARD HANDEL #10024
- TRUTH OPERATOR COVER #10341
- 32 & 78 WHITE
- 1 TRUTH AWNING HINGE 14" #13.14

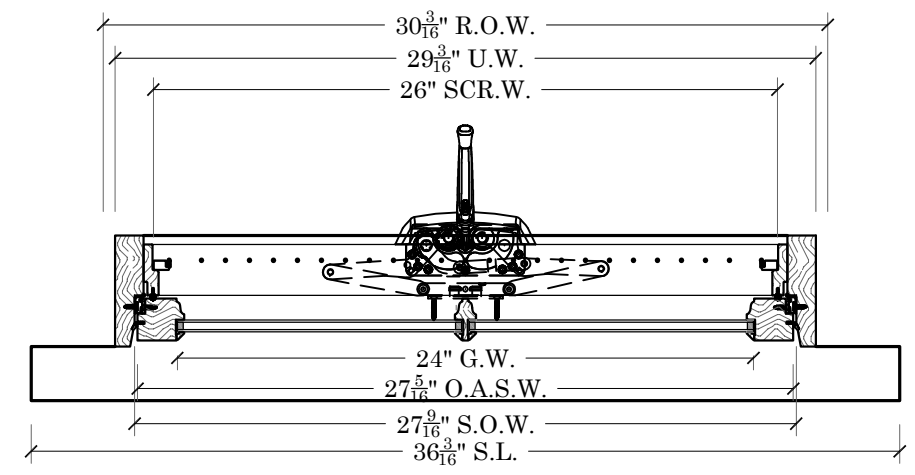
OPTIONAL ITEMS

- ANNEALED OR TEMPERED DOUBLE STRENGTH GLASS UNITS
- ARGON INSULATION GAP
- EXTERIOR LOW E I 89 ON EXTERIOR PANE SURFACE 2
- 2" PINE OR UTILE MAHOGANY INT.EXTENSION JAMBS
- DOUBLE STRENGTH ANNEALED & OR TEMPERED GLASS
- D.P. RATING GLAZING
- HISTORIC 1-3/4" THICK WESTERN RED CEDAR SILLS
- LIFT OUT WOOD SCREENS
- 5/4"X4" OR 4/4"X5" NOMINAL WESTERN RED CEDAR CASING



BEACON HILL AWNING

SCALE: 1-1/2"=1'



B.S. STANDARDS

AWNING OPTION 5

ELEVATION, SECTIONS & NOTES

BEACON HILL PROFILE

JOB:

P.O.#

N/A

DEALER

N/A

CONTRACTOR

N/A

ARCHITECT

N/A

PROJECT MANAGER

N/A

DRAWN BY:

KEITH KUTHAN

DATE:

11/11/2015

SCALE:

NOTED

DWG. NO:

SK4A5.0

SHEET:

1 OF 5