

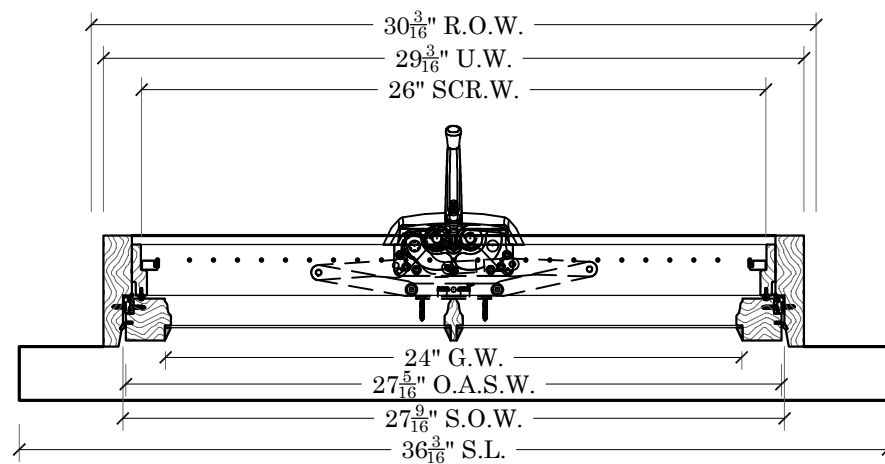
- ### STANDARD
- 4-5/8" UNIT DEPTH
 - S.S.B. GLASS (PUTTY GLAZED)
 - UTILE MAHOGANY FRAME & SASH
 - STANDARD 1-1/2" THICK WESTERN RED CEDAR SILLS
 - PRIMED EXTERIOR/ RAW INTERIOR
 - TRUTH HARDWARE (WHITE) SEE HARDWARE LIST
 - FULLY WEATHER SEALED
 - 3/4" T.D.L. MUNTIN GRILL CONFIGURATIONS
 - WHITE ROLLED FORM ALUMINUM SCREEN FRAMES
 - CHARCOAL FIBERGLASS SCREEN

- ### SIZING
- U.W. = G.W.+5-3/16"
 - S.O.W.=G.W.+3-9/16"
 - O.A.S.W.= G.W.+3-5/16"
 - D.L.O.W.=G.W.-7/16"
 - U.H. = G.H.+8"
 - S.O.H.= G.H.+4-9/16"
 - O.A.S.H.=G.H.+4-5/16"
 - D.L.O.H.=G.H.-7/16"

- ### STD. HARDWARE
- | | |
|---|-------------------------------|
| 1 | TRUTH ENTRYGUARD OP. #11.42 |
| 1 | TRUTH SASH HOOK #20008 |
| 1 | TRUTH STANDARD HANDEL #10024 |
| - | TRUTH OPERATOR COVER #10341 |
| | 32 & 78 WHITE |
| 1 | TRUTH AWNING HINGE 14" #13.14 |

NEWPORT AWNING

SCALE: 1-1/2"=1'



- ### OPTIONAL ITEMS
- 2" PINE OR UTILE MAHOGANY INT.EXTENSION JAMBS
 - DOUBLE STRENGTH ANNEALED & OR TEMPERED GLASS
 - D.P. RATING GLAZING
 - HISTORIC 1-3/4" THICK WESTERN RED CEDAR SILLS
 - LIFT OUT WOOD SCREENS
 - 5/4"X4" OR 4/4"X5" NOMINAL WESTERN RED CEDAR CASING

BOSTON
SASH & MILLWORK
 667 SPRING STREET
 NORTH DIGHTON, MA. 52764
 PHONE # (508) 880-8808
 FAX # (508)880-8828
 WWW.BOSTONSASH.COM

B.S. STANDARDS
AWNING OPTION 3
ELEVATION, SECTIONS & NOTES
NEWPORT PROFILE

JOB: P.O.# N/A
 DEALER N/A
 CONTRACTOR N/A
 ARCHITECT N/A
 PROJECT MANAGER N/A
 DRAWN BY: KEITH KUTHAN
 DATE: 11/11/2015
 SCALE: NOTED
 DWG. NO: SK4A3.0
 SHEET: 1 OF 5