

# STANDARD

- 4-5/8" UNIT DEPTH
- ANNEALED SINGLE STRENGTH GLASS, INSULATED GLASS UNIT
- UTILE MAHOGANY FRAME & SASH
- STANDARD 1-1/2" THICK WESTERN RED CEDAR SILLS
- PRIMED EXTERIOR/ RAW INTERIOR
- TRUTH HARDWARE (WHITE)
- FULLY WEATHER SEALED
- 7/8" T.D.L. & S.D.L. BAR & MUNTIN GRILL CONFIGURATIONS
- WHITE ROLLED FORM ALUMINUM SCREEN FRAMES
- CHARCOAL FIBERGLASS SCREEN

## SIZING

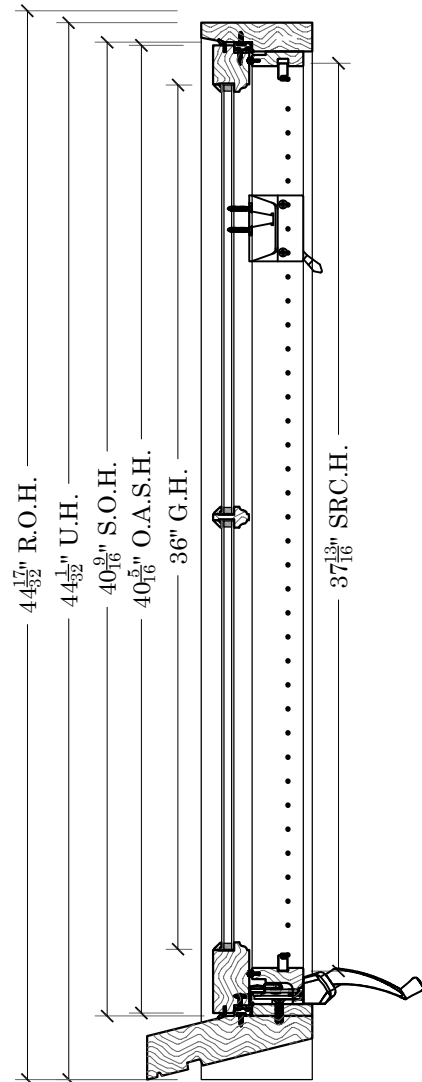
- U.W. = G.W.+5-3/16"
- S.O.W.=G.W.+3-9/16"
- O.A.S.W.= G.W.+3-5/16"
- D.L.O.W.=G.W.-9/16"
- U.H. = G.H.+8"
- S.O.H.= G.H.+4-9/16"
- O.A.S.H.=G.H.+4-5/16"
- D.L.O.H.=G.H.-9/16"

## STD. HARDWARE

- 1 TRUTH ENTRY G.D.A.O. #15.63 L.H.
- 1 TRUTH 3 HOLE TRACK # 30706
- 1 TRUTH STUD BRACKET 10339-LH
- 1 TRUTH STANDARD HANDEL #10024
- 1 TRUTH OPERATOR COVER #10341
- FINISH 32 OR 78 WHITE
- 1 TRUTH HINGES # 14.05 L.H.
- 1 TRUTH N.H.L.P. SASH LOCK #16.18
- 1 TRUTH SASH LOCK KEEPER #31344
- 32&78 WHITE

## OPTIONAL ITEMS

- ANNEALED OR TEMPERED DOUBLE STRENGTH GLASS UNITS
- ARGON INSULATION GAP
- EXTERIOR LOW E I 89 ON EXTERIOR PANE SURFACE 2
- 2" PINE OR UTILE MAHOGANY INT.EXTENSION JAMBS
- DOUBLE STRENGTH ANNEALED & OR TEMPERED GLASS
- D.P. RATING GLAZING
- HISTORIC 1-3/4" THICK WESTERN RED CEDAR SILLS
- LIFT OUT WOOD SCREENS
- 5/4"X4" OR 4/4"X5' NOMINAL WESTERN RED CEDAR CASING

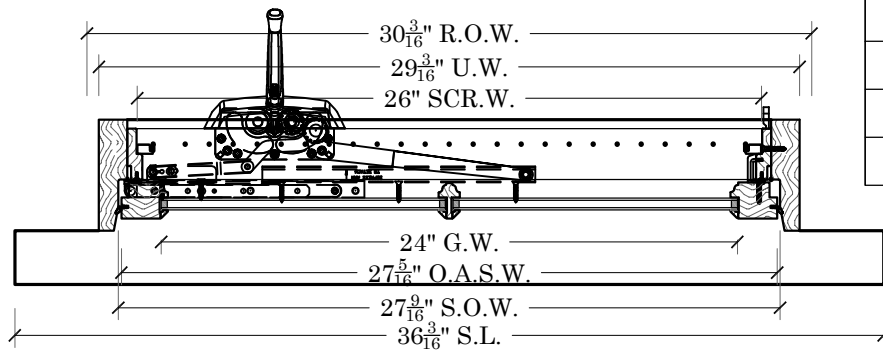


## EGRESS INFO.

- MINIMUM UNIT SIZES TO PASS 20"X24" C.O. MA. EGRESS
- S. HARDWARE 28-3/4"W. X 30-1/2"H. OR 32-3/4"W. X 26-1/2"H
- E. HARDWARE 26-1/8"W. X 30-1/2"H. OR 30-1/8"W. X 26-1/2"H

# MARTHA'S VINEYARD CASEMENT

SCALE: 1-1/2"=1'



**BOSTON**

**SASH & MILLWORK**  
 667 SPRING STREET  
 NORTH DIGHTON, MA. 52764  
 PHONE # (508) 880-8808  
 FAX # (508) 880-8828  
 WWW.BOSTONSASH.COM

**B.S. STANDARDS**

**CASEMENT OPTION 8**

**DESCRIPTION:**

**ELEVATION, SECTIONS & NOTES**

**MARTHA'S VINEYARD PROFILE**

JOB:	P.O.#
	N/A
	DEALER
	N/A
	CONTRACTOR
	N/A
	ARCHITECT
	N/A
	PROJECT MANAGER
	N/A
	DRAWN BY:
	<b>KEITH KUTHAN</b>
	DATE:
	11/11/2015
	SCALE:
	NOTED
	DWG. NO:
	<b>SK3A8.0</b>
	SHEET:
	<b>1 OF 5</b>