

STANDARD	
-	4-5/8" UNIT DEPTH
-	ANNEALED SINGLE STRENGTH GLASS, INSULATED GLASS UNIT
-	UTILE MAHOGANY FRAME & SASH
-	STANDARD 1-1/2" THICK WESTERN RED CEDAR SILLS
-	PRIMED EXTERIOR/ RAW INTERIOR
-	TRUTH HARDWARE (WHITE)
-	FULLY WEATHER SEALED
-	7/8" T.D.L. & S.D.L. BAR & MUNTIN GRILL CONFIGURATIONS
-	WHITE ROLLED FORM ALUMINUM SCREEN FRAMES
-	CHARCOAL FIBERGLASS SCREEN

SIZING	
-	U.W. = G.W.+5-3/16"
-	S.O.W.=G.W.+3-9/16"
-	O.A.S.W.= G.W.+3-5/16"
-	D.L.O.W.=G.W.-9/16"
-	U.H. = G.H.+8"
-	S.O.H.= G.H.+4-9/16"
-	O.A.S.H.=G.H.+4-5/16"
-	D.L.O.H.=G.H.-9/16"

STD. HARDWARE	
1	TRUTH ENTRY G.D.A.O. #15.63 L.H.
1	TRUTH 3 HOLE TRACK # 30706
1	TRUTH STUD BRACKET 10339-LH
1	TRUTH STANDARD HANDEL #10024
1	TRUTH OPERATOR COVER #10341
	FINISH 32 OR 78 WHITE
1	TRUTH HINGES # 14.05 L.H.
1	TRUTH N.H.L.P. SASH LOCK #16.18
1	TRUTH SASH LOCK KEEPER #31344
	32&78 WHITE

**B O S T O N**

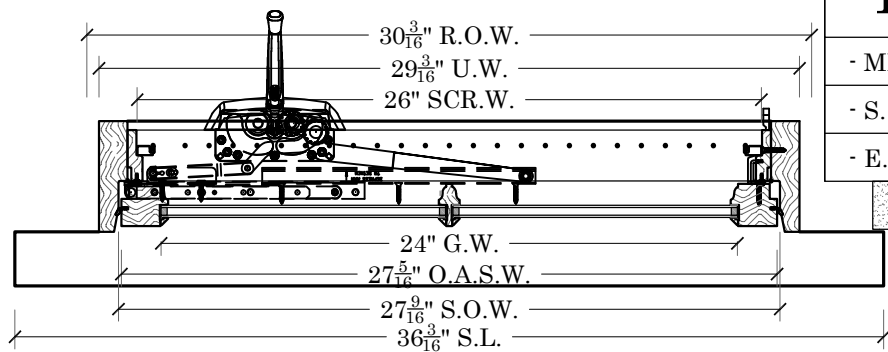
**SASH & MILLWORK**  
 667 SPRING STREET  
 NORTH DIGHTON, MA. 52764  
 PHONE # (508) 880-8808  
 FAX # (508)880-8828  
 WWW.BOSTONSASH.COM

B.S. STANDARDS  
 CASEMENT OPTION 5  
 DESCRIPTION:  
 ELEVATION, SECTIONS & NOTES  
 BEACON HILL PROFILE

P.O.#	N/A
DEALER	N/A
CONTRACTOR	N/A
ARCHITECT	N/A
PROJECT MANAGER	N/A
DRAWN BY:	KEITH KUTHAN
DATE:	11/11/2015
SCALE:	NOTED
DWG. NO:	SK3A5.0
SHEET:	1 OF 5

## BEACON HILL CASEMENT

SCALE: 1-1/2"=1'



EGRESS INFO.	
-	MINIMUM UNIT SIZES TO PASS 20"X24" C.O. MA. EGRESS
-	S. HARDWARE 28-3/4"W. X 30-1/2"H. OR 32-3/4"W. X 26-1/2"H
-	E. HARDWARE 26-1/8"W. X 30-1/2"H. OR 30-1/8"W. X 26-1/2"H

OPTIONAL ITEMS	
-	ANNEALED OR TEMPERED DOUBLE STRENGTH GLASS UNITS
-	ARGON INSULATION GAP
-	EXTERIOR LOW E I 89 ON EXTERIOR PANE SURFACE 2
-	2" PINE OR UTILE MAHOGANY INT.EXTENSION JAMBS
-	DOUBLE STRENGTH ANNEALED & OR TEMPERED GLASS
-	D.P. RATING GLAZING
-	HISTORIC 1-3/4" THICK WESTERN RED CEDAR SILLS
-	LIFT OUT WOOD SCREENS
-	5/4"X4" OR 4/4"X5' NOMINAL WESTERN RED CEDAR CASING